

## 2

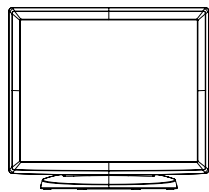
# INSTALLATION AND SETUP

This chapter discusses how to install your LCD touchmonitor and how to install Elo TouchSystems driver software.

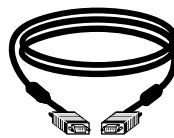
## Unpacking Your Touchmonitor

---

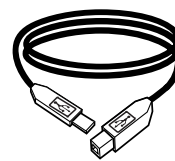
Check that the following items are present and in good condition:



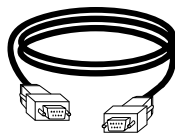
LCD monitor



VGA cable

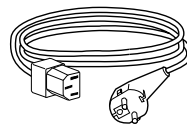


USB cable

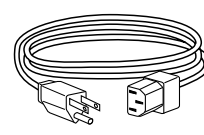


Serial Cable

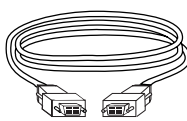
(not included on APR models)



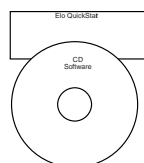
European power cable



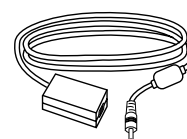
Power cable US/Canada



DVI Cable



CD and Quick Install Guide



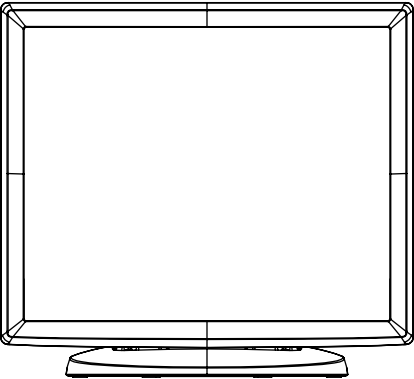
Power adaptor

# Product Overview

---

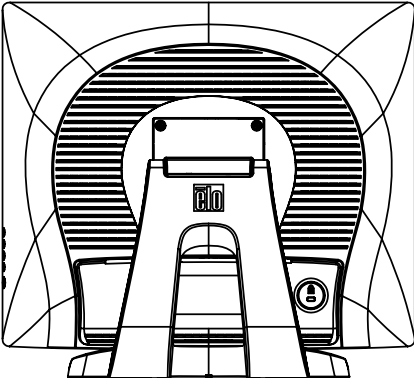
Main Unit

---



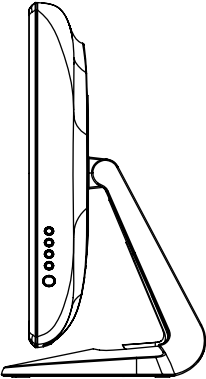
Back Unit

---



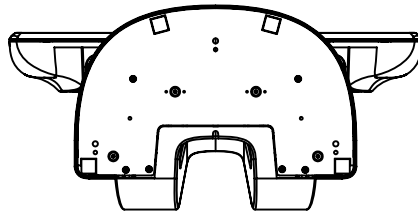
Side View

---



## Base Bottom View

---



## Kensington™ Lock

---



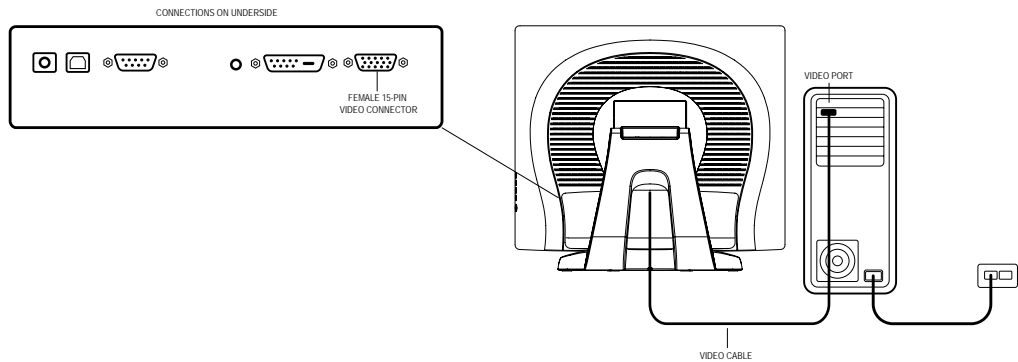
The Kensington™ lock is a security device that prevents theft. To find out more about this security device, go to <http://www.kensington.com>.

# Touch Interface Connection

---

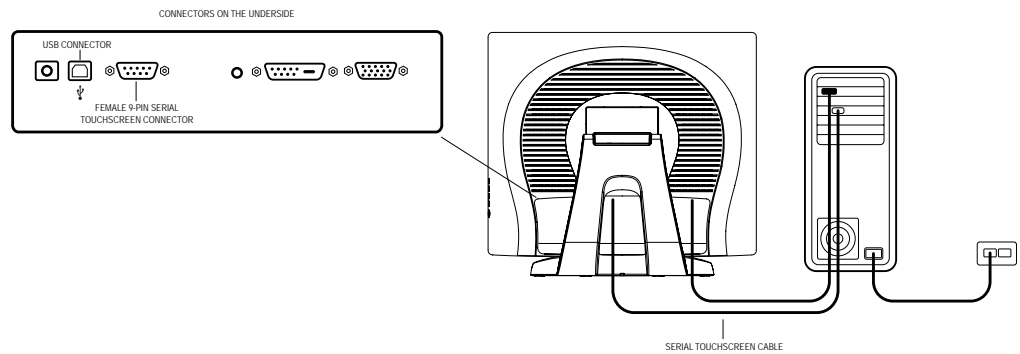
**Note:** Before connecting the cables to your touchmonitor and PC, be sure that the computer and touchmonitor are turned off.

## STEP 1-Connecting the Video Cable



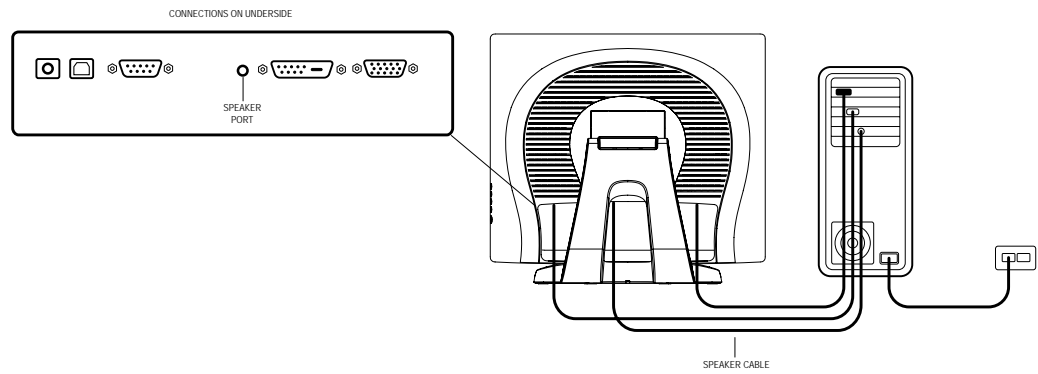
- Tilt the screen up and back to access the connection ports.
- Connect the 15-pin video cable (the ferrite bead end) or 24-pin DVI-D cable to the video port on your PC.
- Connect the other end of the video cable to the video connector on your touchmonitor.
- Secure the cable to your touchmonitor and PC by turning the screws on the connector clockwise.

## STEP 2-Connecting the Serial and USB Touchscreen Cable



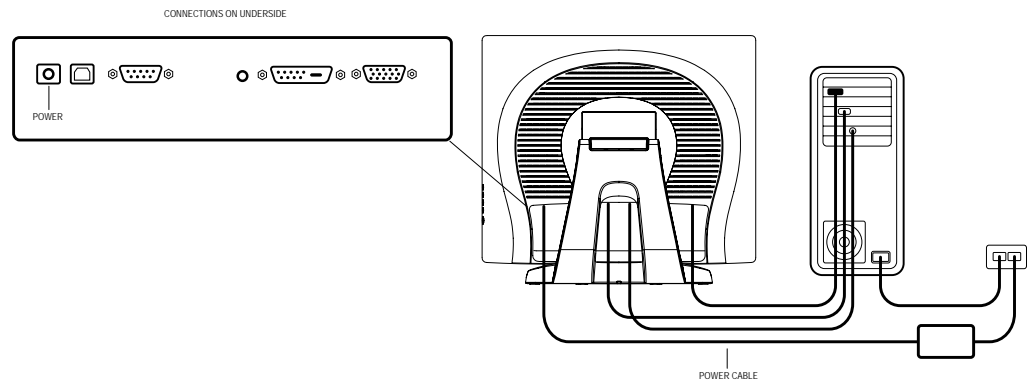
- Connect the female end of the serial (RS-232) cable to the serial port on your PC, or connect the USB(ψ) touchscreen cable to the USB(ψ) touchscreen connector on the back of your touchmonitor.
- Connect the male end of the cable to the serial touchscreen connector on your touchmonitor, or connect the other end of the USB(ψ) touchscreen cable to your PC.
- Secure the cable to your touchmonitor and PC by turning the screws on the connector.
- Please note that you can only have the usb or the serial feature connected. You can not have both connected at the same time.

### STEP 3-Connecting the Speaker Cable



- Connect the light blue end of the speaker cable to the light blue speaker port to the monitor (audio in).
- Connect the lime (light green) end of the speaker cable to the lime speaker port on the computer (audio out).

## STEP 4-Connecting the Power Cable



Depending on where you live, you will use either the European or US/Canadian power cable.

- Connect the female end of the power cable to the medical grade power adaptor.
- Connect the brick power cable into the power port on the touchmonitor.
- Route the cable through the cable management channel.

**NOTE:** To protect your equipment against risk of damage from electrical surges in the power line, plug the touchmonitor's power cord into a surge protector, and then connect the surge protector to a grounded AC electrical outlet.

## Mounting the Display

---

Your medically certified touchscreen display conforms to the VESA Flat Panel Monitor Physical Mounting Interface (FPMPMI) standard. The FPMPMI standard defines a physical mounting interface for flat panel displays. Your display conforms to the corresponding standards for flat panel display mounting devices, such as for walls and table arms. The VESA mounting interface is located on the back of your touchscreen display and is pre-connected to the pedestal.

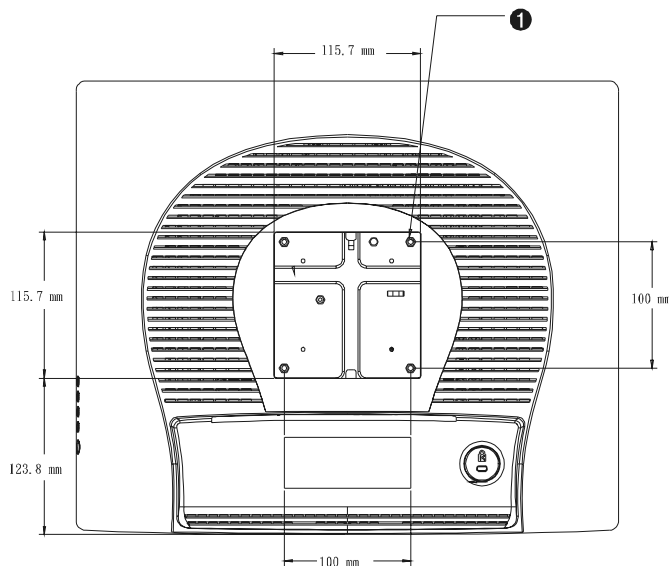


Figure : VESA mounting interface location, pedestal removed

❶ Screw location, M4 Phillips, ×4

*Note:* You will need a Phillips screwdriver to mount the display or remove the pedestal.