

3.3 Disassembly and reassembly

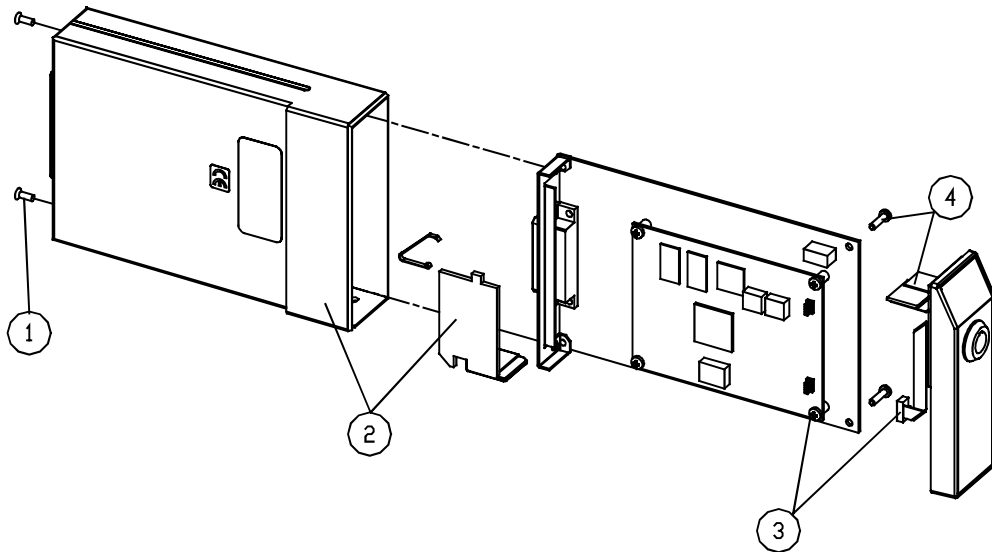


Figure 5 BIS module disassembly and reassembly

Disassemble the M-BIS in the following way.

1. Remove the two screws from the back of the module.
2. Pull the module box slowly rearward and detach it from main body. Be careful with the loose latch and spring locking pin.
3. Detach the BIS Engine board by removing the four screws located at the corners of the board and disconnecting the front panel connector cable.
4. Detach the interface board by removing the two screws located near the front panel frame, disconnect the cable and pull out the front panel frame.

To reassemble the module, reverse the order of the disassembly steps.

CAUTION When reassembling the module, make sure that the cables are reconnected properly.